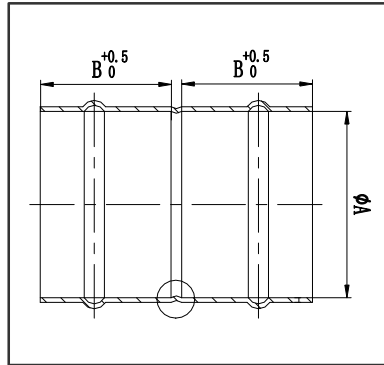
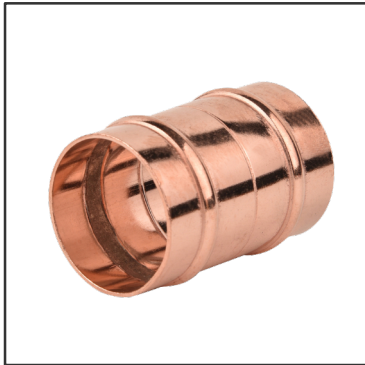


## ITEM TYPE : Straight Coupling



Y.TUBE End Feed Fittings, manufactured in copper, is a fast, reliable and economic method of joining EN 1057 copper tubes.

- ▶ Available in sizes from 12mm to 159mm
- ▶ Copper fittings manufactured to EN-1254
- ▶ Designed to be connected to Yorkshire Copper Tube EN 1057
- ▶ Marked with the Y.TUBE logo
- ▶ WRAS Approved

### SIZE(MM)

12 mm

15 mm

22 mm

28 mm

35 mm

42 mm

54 mm

### Working Temperatures & Pressures

| Max Temp.<br>(1) °C | Max pressures for nominal diameters (1)(2) BAR |                      |
|---------------------|--|----------------------|
|                     | From 6mm up to 34mm                            | From 34mm up to 54mm |
| 30                  | 25   | 25                   |
| 65                  | 25   | 16                   |
| 110                 | 16   | 10                   |

### Applications

- Domestic
- Commercial
- Industrial
- Hot and Cold water services
- Heating Installations
- Fuel services
- Gas Pipework in domestic premises

### Chemical Composition

| Item               | Cu        | P             | Fe        | Bi        | Zn        | S         | Sn      |
|--------------------|-----------|---------------|-----------|-----------|-----------|-----------|---------|
| Standard Value (%) | 99.90 MIN | 0.015 - 0.040 | 0.005 MAX | 0.001 MAX | 0.005 MAX | 0.005 MAX | -----   |
| Testing Data (%)   | 99.9726   | 0.02061       | 0.00054   | 0.00010   | 0.00029   | 0.00052   | 0.00050 |
| Item               | Ni        | Pb            | Sb        | As        | O         |           |         |
| Standard Value (%) | -----     | 0.005 MAX     | 0.002 MAX | 0.002 MAX | 0.001 MAX |           |         |
| Standard Value (%) | 0.00100   | 0.00031       | 0.00100   | 0.00100   | 0.0001    |           |         |

All products have a pressure rating as per PN 16 standards