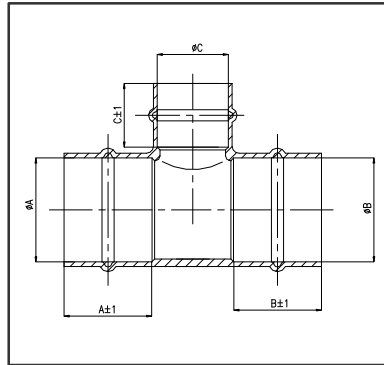




EN1254-1

ITEM TYPE : Reducing Tee



Y.TUBE End Feed Fittings, manufactured in copper, is a fast, reliable and economic method of joining EN 1057 copper tubes.

- ▶ Available in sizes from 12mm to 159mm
- ▶ Copper fittings manufactured to EN-1254
- ▶ Designed to be connected to Yorkshire Copper Tube EN 1057
- ▶ Marked with the Y.TUBE logo
- ▶ WRAS Approved

SIZE(MM)	22x15x15 mm	22x22x15 mm	28x28x15 mm	28x28x22 mm	35x35x15 mm
	35x35x22 mm	35x35x28 mm	42x42x15 mm	42x42x22 mm	42x42x22 mm
	42x42x28 mm	42x42x35 mm	54x54x15 mm	54x54x22 mm	54x54x28 mm
	54x54x35 mm	54x54x42 mm	67x67x28 mm	67x67x35 mm	67x67x42 mm
	67x67x54 mm	76x76x35 mm	76x76x42 mm	76x76x54 mm	108x108x42 mm
	108x108x54 mm	108x108x67 mm			

Working Temperatures & Pressures

Max Temp. (1) °C	Max pressures for nominal diameters (1)(2) BAR	
	From 6mm up to 34mm	From 34mm up to 54mm
30	25	25
65	25	16
110	16	10

Applications

- Domestic
- Commercial
- Industrial
- Hot and Cold water services
- Heating Installations
- Fuel services
- Gas Pipework in domestic premises

Chemical Composition

Item	Cu	P	Fe	Bi	Zn	S	Sn
Standard Value (%)	99.90 MIN	0.015 - 0.040	0.005 MAX	0.001 MAX	0.005 MAX	0.005 MAX	-----
Testing Data (%)	99.9726	0.02061	0.00054	0.00010	0.00029	0.00052	0.00050
Item	Ni	Pb	Sb	As	O		
Standard Value (%)	-----	0.005 MAX	0.002 MAX	0.002 MAX	0.001 MAX		
Standard Value (%)	0.00100	0.00031	0.00100	0.00100	0.0001		

All products have a pressure rating as per PN 16 standards