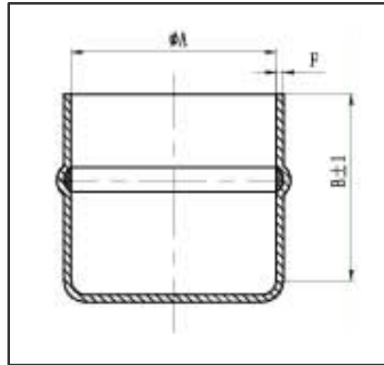


ITEM TYPE : End Cap



Y.TUBE End Feed Fittings, manufactured in copper, is a fast, reliable and economic method of joining EN 1057 copper tubes.

- ▶ Available in sizes from 12mm to 159mm
- ▶ Copper fittings manufactured to EN-1254
- ▶ Designed to be connected to Yorkshire Copper Tube EN 1057
- ▶ Marked with the Y.TUBE logo
- ▶ WRAS Approved

SIZE(MM)

12 mm

15 mm

22 mm

28 mm

35 mm

42 mm

54 mm

Working Temperatures & Pressures

Max Temp. (1) °C	Max pressures for nominal diameters (1)(2) BAR	
	From 6mm up to 34mm	From 34mm up to 54mm
30	25	25
65	25	16
110	16	10

Applications

- Domestic
- Commercial
- Industrial
- Hot and Cold water services
- Heating Installations
- Fuel services
- Gas Pipework in domestic premises

Chemical Composition

Item	Cu	P	Fe	Bi	Zn	S	Sn
Standard Value (%)	99.90 MIN	0.015 - 0.040	0.005 MAX	0.001 MAX	0.005 MAX	0.005 MAX	-----
Testing Data (%)	99.9726	0.02061	0.00054	0.00010	0.00029	0.00052	0.00050
Item	Ni	Pb	Sb	As	O		
Standard Value (%)	-----	0.005 MAX	0.002 MAX	0.002 MAX	0.001 MAX		
Standard Value (%)	0.00100	0.00031	0.00100	0.00100	0.0001		

All products have a pressure rating as per PN 16 standards