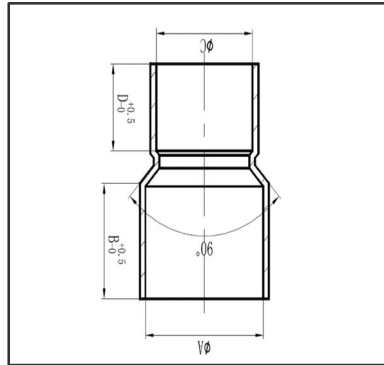




EN1254-1

## ITEM TYPE : Reducer Coupling



Y.TUBE End Feed Fittings, manufactured in copper, is a fast, reliable and economic method of joining EN 1057 copper tubes.

- ▶ Available in sizes from 12mm to 159mm
- ▶ Copper fittings manufactured to EN-1254
- ▶ Designed to be connected to Yorkshire Copper Tube EN 1057
- ▶ Marked with the Y.TUBE logo
- ▶ WRAS Approved

SIZE(MM)	15x12 mm	22x15 mm	28x15 mm	28x22 mm	35x15 mm	35x22 mm
	35x28 mm	42x15 mm	42x22 mm	42x28 mm	42x35 mm	54x22 mm
	54x28 mm	54x35 mm	54x42 mm	67x28 mm	67x35 mm	67x42 mm
	67x54 mm	76x42 mm	76x67 mm	108x42 mm	108x76 mm	

## Working Temperatures & Pressures

Max Temp. (1) °C	Max pressures for nominal diameters (1)(2) BAR	
	From 6mm up to 34mm	From 34mm up to 54mm
30	25	25
65	25	16
110	16	10

## Applications

- Domestic
- Commercial
- Industrial
- Hot and Cold water services
- Heating Installations
- Fuel services
- Gas Pipework in domestic premises

## Chemical Composition

Item	Cu	P	Fe	Bi	Zn	S	Sn
Standard Value (%)	99.90 MIN	0.015 - 0.040	0.005 MAX	0.001 MAX	0.005 MAX	0.005 MAX	-----
Testing Data (%)	99.9726	0.02061	0.00054	0.00010	0.00029	0.00052	0.00050
Item	Ni	Pb	Sb	As	O		
Standard Value (%)	-----	0.005 MAX	0.002 MAX	0.002 MAX	0.001 MAX		
Standard Value (%)	0.00100	0.00031	0.00100	0.00100	0.0001		

All products have a pressure rating as per PN 16 standards