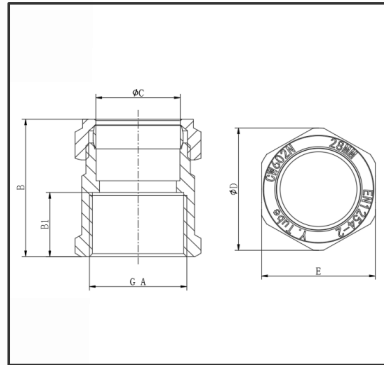




EN1254-2

CW602N

## ITEM TYPE : Female Coupling



Y.TUBE DZR Brass Type A Fittings, is a specialized copper alloy engineered to resist dezincification.

- ▶ Available in sizes mentioned below
- ▶ Manufactured to BS EN1254-2 & CW602N
- ▶ Marked with the Y.TUBE logo
- ▶ WRAS Approved

### SIZE (MMxIN)

22 x 3/4"

28 x 1"

42 x 1 1/2"

54 x 2"

### Dimensions

Article No.	Size (mm x in)	ØC		GA	B1	B		ØD	E	
		Min	Max			Min	Max		Min	Max
YT-DZR-FC-2275	22 x 3/4"	Ø22.15	Ø22.25	G 3/4"	18.8	44.1	44.8	Ø34.7	31.3	31.7
YT-DZR-FC-281	28 x 1"	Ø28.15	Ø28.25	G 1"	21.8	46.8	47.5	Ø41.7	37.7	38.2
YT-DZR-FC-42112	42 x 1 1/2"	Ø42.15	Ø42.25	G 1 1/2"	22.8	61	61.6	Ø60.7	56.7	61.2
YT-DZR-FC-542	54 x 2"	Ø54.15	Ø54.25	G 2"	25.3	68.3	70	Ø73.7	68.7	69.2

15mm x 1/2" and 35mm x 1 1/4" are available on request

### Working Temperatures & Pressures

Max Temp. (1) °C	Max pressures for nominal diameters (1)(2) BAR
	From 6mm up to 54mm
30	16
65	10
110	6

### Applications

- Domestic
- Commercial
- Industrial
- Hot and Cold water services
- Heating Installations
- Fuel services

### Chemical Composition

Element Name	Copper (Cu)	Tin (Sn)	Steel (Fe)	Plumbum (Pb)	Aluminium (Al)	Nickel (Ni)	Manganese (Mn)	Arsenic (As)	Zinc (Zn)
Customer Request	>61	<0.1	<0.1	<2.5	<0.05	<0.3	/	0.1-0.15	Margin
Measured Data	61.5274	0.0478	0.0651	2.2130	0.0321	0.0712	0.0042	0.1179	Margin

All products have a pressure rating as per PN 16 standards