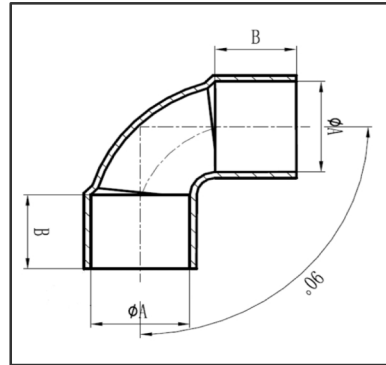




EN1254-1

## ITEM TYPE : 90° Elbow



**Y.TUBE ASTM Fittings, manufactured in copper, is a fast, reliable and economic method of joining EN 1057 copper tubes.**

- ▶ Available in sizes mentioned below
- ▶ Copper fittings manufactured to EN-1254
- ▶ Designed to be connected to Yorkshire Copper Tube EN 1057
- ▶ Marked with the Y.TUBE logo
- ▶ WRAS Approved

### SIZE(MM)

1/4"

3/8"

1/2"

5/8"

3/4"

7/8"

1 x 1/8"

1 x 3/8"

1 x 5/8"

2 x 1/8"

2 x 5/8"

3 x 1/8"

## Temperature Ratings for Copper Fittings, kPa

Standard Water Tube Size	-29°C to 38°C	66°C	93°C	121°C	149°C	177°C	204°C
1/4	6 280	5 340	5 130	5 020	4 920	4 190	3 140
3/8	5 360	4 560	4 380	4 290	4 200	3 570	2 680
1/2	4 970	4 220	4 060	3 980	3 890	3 310	2 480
5/8	4 350	3 700	3 550	3 480	3 410	2 900	2 170
3/4	4 010	3 410	3 210	3 210	3 140	2 670	2 000
1	3 400	2 890	2 780	2 720	2 660	2 270	1 700
1 1/4	3 020	2 570	2 470	2 420	2 370	2 010	1 510
1 1/2	2 810	2 390	2 300	2 250	2 200	1 870	1 400
2	2 500	2 130	2 040	2 000	1 960	1 670	1 250
2 1/2	2 310	1 960	1 890	1 850	1 810	1 540	1 150
3	2 180	1 850	1 780	1 740	1 710	1 450	1 090
3 1/2	2 090	1 770	1 700	1 670	1 630	1 390	1 040

## Applications

- Domestic
- Commercial
- Industrial
- Hot and Cold water services
- Heating Installations
- Fuel services
- Gas Pipework in domestic premises

## Chemical Composition

Item	Cu	P	Fe	Bi	Zn	S	Sn
Standard Value (%)	99.90 MIN	0.015 - 0.040	0.005 MAX	0.001 MAX	0.005 MAX	0.005 MAX	-----
Testing Data (%)	99.973	0.01970	0.00150	0.00010	0.00100	0.00100	0.00050
Item	Ni	Pb	Sb	As	O		
Standard Value (%)	-----	0.005 MAX	0.002 MAX	0.002 MAX	0.001 MAX		
Testing Data (%)	0.00100	0.00100	0.00100	0.00100	0.0001		
Item	Cu + Ag	P	Fe	S	Pb	Zn	O
Standard (%)	≥ 99.90	0.015 ~ 0.040	≤ 0.005	≤ 0.005	≤ 0.005	≤ 0.005	≤ 0.001
Actual (%)	99.9726	0.02061	0.00054	0.00052	0.00031	0.00029	0.00001

All products have a pressure rating as per PN 16 standards