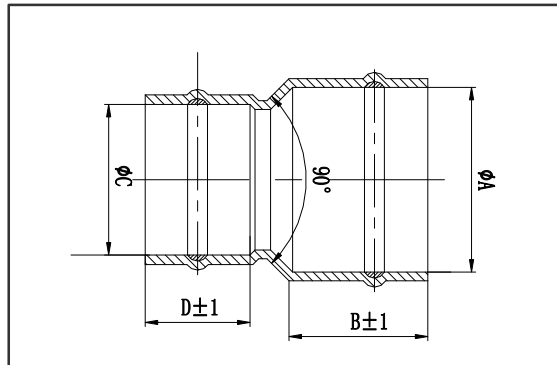




EN-1254

ITEM TYPE : Reducer Coupling



Y.TUBE solder ring fitting, manufactured in copper, is a fast, reliable and economic method of joining EN 1057 copper tube.

Solder Ring fittings connect to copper tube through the process of capillary action with solder forming an easy, effective joint between the fitting and the tube. They are lightweight for easy handling and lend themselves well to confined environments due to their compact sizing.

- ▶ Available in sizes from 12mm to 54mm
- ▶ Copper fittings manufactured to EN-1254
- ▶ Designed to be connected to Yorkshire Copper Tube EN 1057
- ▶ Marked with the Y.TUBE logo
- ▶ WRAS Approved

Working Temperatures & Pressures

Max Temp. (1) °C	Max pressures for nominal diameters (1)(2) BAR	
	From 6mm up to 34mm	From 34mm up to 54mm
30	25	25
65	25	16
110	16	10

Applications

- Domestic
- Commercial
- Industrial
- Hot and Cold water services
- Heating Installations
- Fuel services
- Gas Pipework in domestic premises

Chemical Composition

Item	Cu	P	Fe	Bi	Zn	S	Sn
Standard Value (%)	99.90 MIN	0.015 - 0.040	0.005 MAX	0.001 MAX	0.005 MAX	0.005 MAX	-----
Testing Data (%)	99.9726	0.02061	0.00054	0.00010	0.00029	0.00052	0.00050
Item	Ni	Pb	Sb	As	O		
Standard Value (%)	-----	0.005 MAX	0.002 MAX	0.002 MAX	0.001 MAX		
Standard Value (%)	0.00100	0.00031	0.00100	0.00100	0.0001		