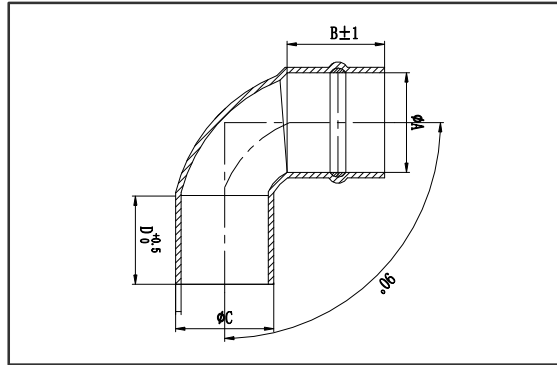




EN-1254

ITEM TYPE : 90° Elbow



Y.TUBE solder ring fitting, manufactured in copper, is a fast, reliable and economic method of joining EN 1057 copper tube.

Solder Ring fittings connect to copper tube through the process of capillary action with solder forming an easy, effective joint between the fitting and the tube. They are lightweight for easy handling and lend themselves well to confined environments due to their compact sizing.

- ▶ Available in sizes from 12mm to 54mm
- ▶ Copper fittings manufactured to EN-1254
- ▶ Designed to be connected to Yorkshire Copper Tube EN 1057
- ▶ Marked with the Y.TUBE logo
- ▶ WRAS Approved

Working Temperatures & Pressures

| Max Temp. (1) °C | Max pressures for nominal diameters (1)(2) BAR | |
|---------------------|--|----------------------|
| | From 6mm up to 34mm | From 34mm up to 54mm |
| 30 | 25 | 25 |
| 65 | 25 | 16 |
| 110 | 16 | 10 |

Applications

- Domestic
- Commercial
- Industrial
- Hot and Cold water services
- Heating Installations
- Fuel services
- Gas Pipework in domestic premises

Chemical Composition

| Item | Cu | P | Fe | Bi | Zn | S | Sn |
|--------------------|-----------|---------------|-----------|-----------|-----------|-----------|---------|
| Standard Value (%) | 99.90 MIN | 0.015 - 0.040 | 0.005 MAX | 0.001 MAX | 0.005 MAX | 0.005 MAX | ----- |
| Testing Data (%) | 99.9726 | 0.02061 | 0.00054 | 0.00010 | 0.00029 | 0.00052 | 0.00050 |
| Item | Ni | Pb | Sb | As | O | | |
| Standard Value (%) | ----- | 0.005 MAX | 0.002 MAX | 0.002 MAX | 0.001 MAX | | |
| Standard Value (%) | 0.00100 | 0.00031 | 0.00100 | 0.00100 | 0.0001 | | |